

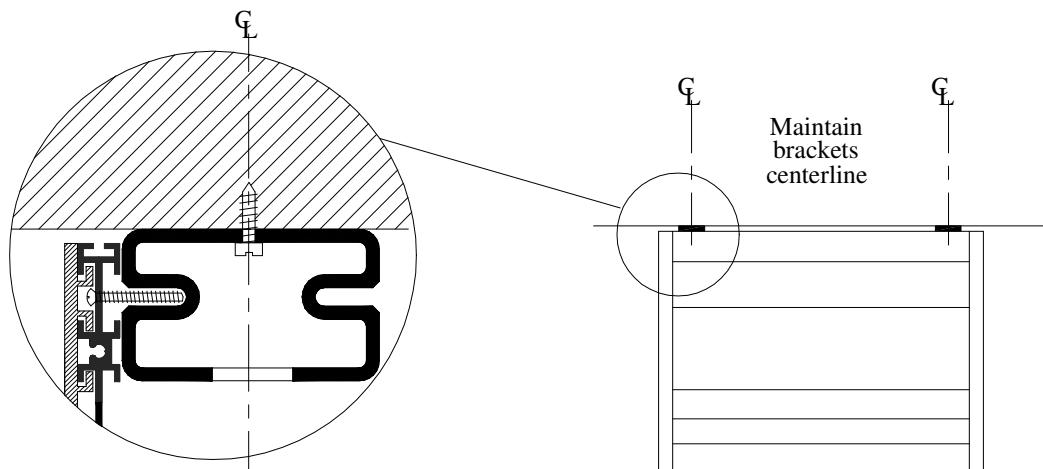
This mount is intended for installation of the Quad Sign directly into a ceiling.

1. Remove corner caps. Caps are held magnetically (no tools are required for removal).
2. Remove top inserts opposite mounting brackets, exposing mounting screws.
3. Note centerline distance between mounting brackets. Remove screws holding Quad Sign to mounting brackets.
4. Mount the mounting bracket to the ceiling, maintaining exact centerline distance between brackets.
5. Once the mounting brackets are mounted to the ceiling, lift the Quad Sign into place and screw in the screws removed in Step 3.
6. Replace inserts and corner caps to complete the installation.

Due to the various mounting applications, screws and anchors are supplied by Installers or End Users.

If you have any questions regarding installation, please contact our Technical Support Department at 800/777-4310.

Typical Application:



**IMPORTANT:** Prior to installation, remove all contents from box and inspect each sign for damage. Box should contain signs, hardware, and mounting instructions for each style of mount used. Surface of the sign must be handled with care. Clean with water and mild detergent.

CUSTOMER IS RESPONSIBLE FOR SUITABILITY OF EACH MOUNTING OPTION.  
TESTING IS RECOMMENDED PRIOR TO EACH USE.